

# CENTRIFUGAL PUMPS

## NDM Series

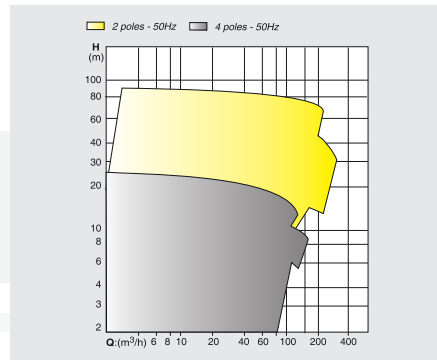
Pumps of NDM series are single stage centrifugal magnetic drive pumps in accordance to ISO 2858. Foot mounting, single volute casing with flanged end suction and top discharge. The impeller is hydraulically and dynamically balanced and designed to achieve high efficiency and low N.P.S.H. values. Shaft supported by oil lubricated ball bearings. Close coupled available. Performance and dimensions of the NDM pump line are in accordance with ISO 2858 standards.

COBALT-SAMARIUM MAGNETS STANDARD  
 SYNCHRONOUS MAGNET COUPLINGS ONLY, NO SLIPPING  
 SILICON CARBIDE BEARINGS STANDARD - CARBON OPTION

All pumps of the NDM line have been designed to a modular concept so as to reduce the stock of spares with the advantage of low stocking costs. The NDM line is back-pull-out design, therefore when the pump unit is equipped with a spacer type coupling, the complete rotor can be removed from pump casing without disturbing piping and motor.

All pumps are manufactured in accordance with the current CE-Standard  
 \*\*\*\* Explosion proof models according to ATEX directive, category II are also available. \*\*\*\*

Discharge nozzles	32 up to 100	
Poles	2	4
Capacity [m <sup>3</sup> /h]	8-200	3-100
Head [m]	up to 90	up to 25
Max. Pressure [Bar]	16	
Max. Temper. (°C)	300	



### FEATURES

- Single stage centrifugal pumps
- Performances and Dimensions: ISO 2858
- Models:
  - Range 1°: 5x3x12 up to 8x6x16
  - Range 2°: 5x3x25 up to 12x10x20

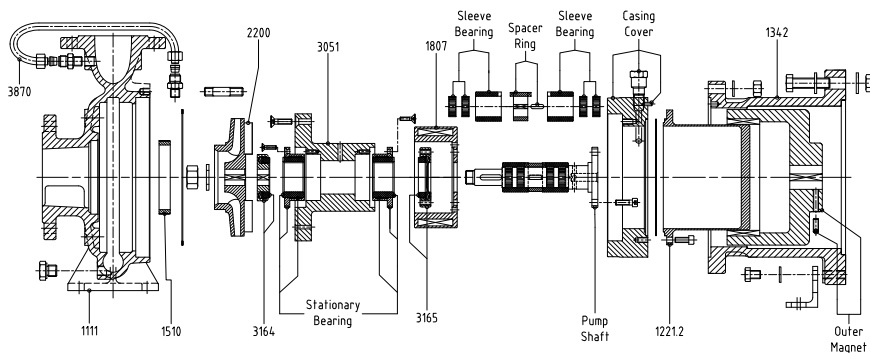
### MATERIALS

- Stainless Steel AISI 316L with cast components CF8M
- On request Incoloy 825 and Hastelloy C

### APPLICATIONS

- Chemical and Petrochemical plants
- Oil Refinery
- Pharmaceutical
- Heat transfer oil
- Hot water
- Food processing

### SECTIONAL DRAWING



ref	DESCRIPTION	MATERIAL
1111	Pump Casing	ASTM CF8M
1221.2	Rear Casing	AISI 316L / HC276
1342	Bracket	G25
1510	Casing Wear Ring	AISI 316L
	Outer Magnet	Neodym / Steel
1807	Inner Magnet	AISI 316L / CoSm
	Pump Shaft	Stainless Steel
2200	Impeller	ASTM CF8M
	Sleeve Bearing	AISI 316L + SIC
2905.3	Impeller Nut Lockwasher	AISI 316L
2912	Impeller Nut	AISI 316L
3051	Pump Shaft Housing	AISI 316L
3164	Rear Thrust Bearing	SIC / AISI 316L
3165	Front Thrust Bearing	SIC / AISI 316L
	Stationary Bearing	AISI 316L + SIC
3870	Flushing Pipe	AISI 316L